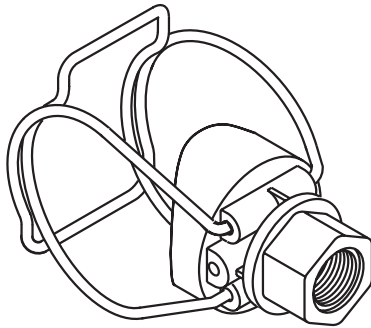


UNI-SPRAY

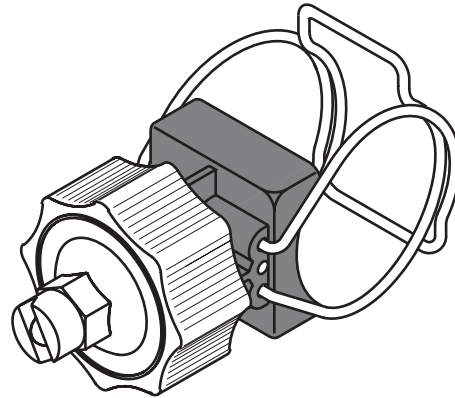
- CLAMP-ON NOZZLE SELECTION GUIDE -

Uni-Spray Nozzles ...

are injection molded from custom blended polypropylene, a cost effective material that is corrosion and heat resistant and is impervious to most chemicals. The Uni-Mix Tip design resists clogging and buildup due to its smooth shape and low coefficient of friction. A wide variety of Uni-Spray Clamp-On Nozzles are available to suit your application and are colour coded for easy identification (see table below). All nozzles are available with a Single Spring or an optional Double Spring configuration for pressures over 60 psi (4.0 bar). All of the nozzles are available in three spigot sizes to fit 21/32", 9/16" or 19mm diameter holes in the riser.



"Mark II" Fixed Nozzle Adapter



"Mark I" Adjustable Nozzle Assembly

"MARK I" Adjustable Nozzle Assembly...

permits nozzle directional adjustment of the nozzle tip anywhere within a 45° included angle. Interchangeable Nozzle Tips are available in Full Cone, Hollow Cone or Flat Spray styles with various combinations of spray angle and flow rate. The Mark I is also available with a Threaded Ball Connection in 1/8, 1/4, 3/8, and 1/2 inch NPT or BSP, allowing the use of any threaded plastic, brass or steel nozzle.

"MARK II" Fixed Nozzle Adapter...

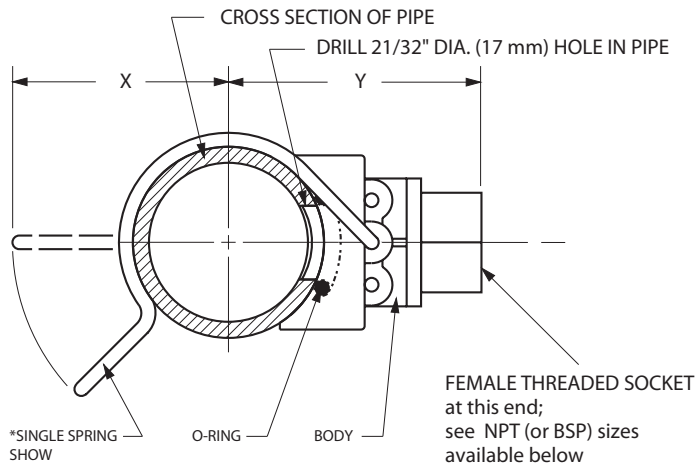
offers female threaded connections in 1/8, 1/4, 3/8 and 1/2 inch NPT or 1/8 BSP threads, allowing the use of any threaded plastic, brass or steel nozzle.

Available Sizes...

The "Mark I" and "Mark II" Nozzle Assemblies are colour-coded for convenient identification, and are available to fit the following pipe sizes:

1 inch	25 mm	blue
1-1/4 inch	32 mm	red
1-1/2 inch	40 mm	purple
2 inch	50 mm	green

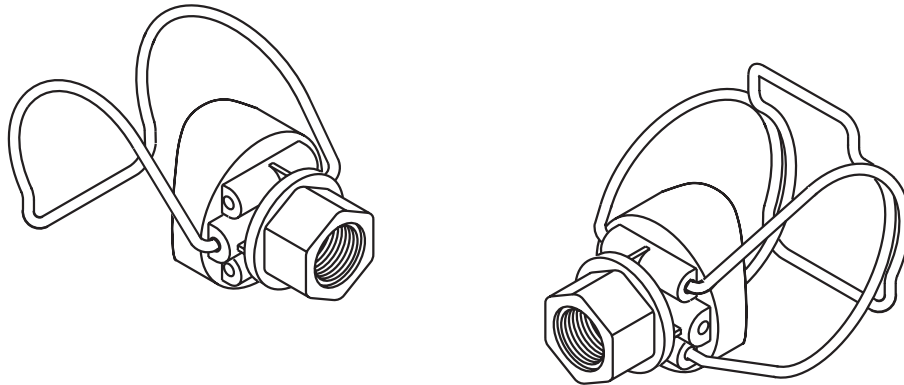
UNI-SPRAY "MARK II" FIXED NOZZLE ADAPTER



Major Dimensions

		X	Y
(inch)			
1"	Pipe	1.70	2.01
1-1/4"	Pipe	1.89	2.21
1-1/2"	Pipe	2.02	2.30
2"	Pipe	2.25	2.54
(mm)			
25 mm	Pipe	43.2	51.1
32 mm	Pipe	48.0	56.1
40 mm	Pipe	51.3	58.4
50 mm	Pipe	57.2	64.5

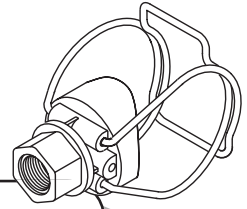
ALSO AVAILABLE WITH DOUBLE SPRINGS
FOR PRESSURES FROM 60 TO 150 PSI
(4.1 TO 10.3 BAR)



Features:

- inexpensive;
- corrosion resistant;
- impervious to most chemicals;
- good heat resistance;
- injection molded from custom blended polypropylene;
- standard with Single Spring Clamp;
- optional Double Spring Clamps for pressures over 60 psi (4.0 bar);
- available with threaded connection in 1/8, 1/4, 3/8 and 1/2 inch NPT or BSP threads;
- nozzle bodies fit 21/32" diameter holes on the riser.

"MARK II" FIXED NOZZLE ADAPTOR ORDERING INSTRUCTIONS



How To Order A Mark II Fixed Nozzle Adapter:

The complete Part Number tells us exactly what assembly you want.

For example, let's say that you want to order a Mark II Fixed Nozzle Adapter to fit on a 1-1/4 inch pipe, with double springs for high pressure, and a 1/4" NPT female threaded connection for use with your standard threaded nozzle tips:

Step 1:

The Part Number begins with 'UNI' and the Pipe Size, as follows:

'UNI 100' = 1 inch pipe

'UNI 125' = 1-1/4 inch pipe

'UNI 150' = 1-1/2 inch pipe

'UNI 200' = 2 inch pipe

... so in our example, we would have so far...

'UNI 125 ...'

Step 2:

The Thread Sizes are shown as follows:

'18 N' = 1/8 NPT

'18 B' = 1/8 BSP

'14 N' = 1/4 NPT

'38 N' = 3/8 NPT

'12 N' = 1/2 NPT

...so in this example we now have...

'UNI 125 14 N ...'

Step 3:

Add 'M2 D' to denote the Style, where 'D' denotes the Double Spring. If it was to have a Single Spring, the Style would be 'M2 S'.

So, in our example, we end up with...

'UNI 125 14 N M2 D'