

RING BLADE™ AIR WIPE

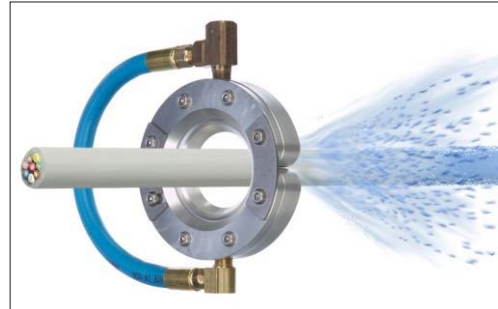
Blowoff, clean, cool and dry cable, pipe, extrusions, hose, wire and rope. Split design requires zero threading. Uniform 360 degree variable flow and force for temperatures up to 400°F (204°C)

WHAT ARE THEY - REASONS TO USE

Air Wipe Blowoff System - Ring Blade™ from Nex Flow™ is easy to mount and maintain, and reduces both compressed air consumption and noise levels.

It produces a "laminar" flow of air along its 360° angle using the "Coanda" effect which "entrains" a large volume of air from the surrounding area along with the small amount of compressed air from the Ring Blade™ air-saver wiper-blade to produce an output flow up to 30 times.

The Ring Blade™ air wipe blowoff system payback on compressed air savings can be as short as a few weeks when compared to nozzle "rings" or simple annular slots used by other air wiping systems. Blowoff, cool, and clean products such as cable, pipe, wire and hose.



RING BLADE™ AIR WIPE BLOWOFF SYSTEM FEATURES:

- ▶ No moving parts - anodized aluminum
- ▶ Compact design, simple, lightweight and portable.
- ▶ Full flow Split Design - air across entire circumference of the Ring Blade™ Air Wipe. Designed as two pieces hinged together to open and close around the part.
- ▶ Driven by air not electricity.
- ▶ High airflow amplification.
- ▶ Instant on-off, no electricity or explosion hazard.

RING BLADE™ AIR WIPE BLOWOFF SYSTEM BENEFITS:

- ▶ Longer life in difficult environments than competitive models because of anodizing.
- ▶ Easy to install and maintain and allows removal of a continuous piece.
- ▶ Even blowoff around the part, light in weight and compact.
- ▶ Lower compressed air consumption than a ring of drilled pipe or ring of open jets and nozzles.
- ▶ Maintenance free with output easily controlled, safe to use.

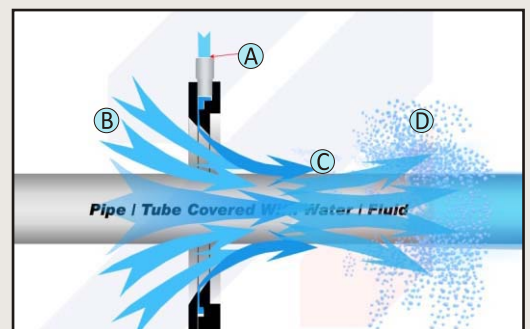
RING BLADE™ AIR WIPE BLOWOFF SYSTEM APPLICATIONS:

- ▶ Blowoff of dust, liquid, contaminants and uniformly wipe surfaces.
- ▶ Dry after washing, plating or coating.
- ▶ Cool hot surfaces.
- ▶ Dry extruded profiles, plastic tubing, hose, wire, fiber optics, ribbon, strips.
- ▶ Prevent solution carryover and avoid cross contamination.
- ▶ Clean paint gun tips.
- ▶ Remove access water, coatings, oil.



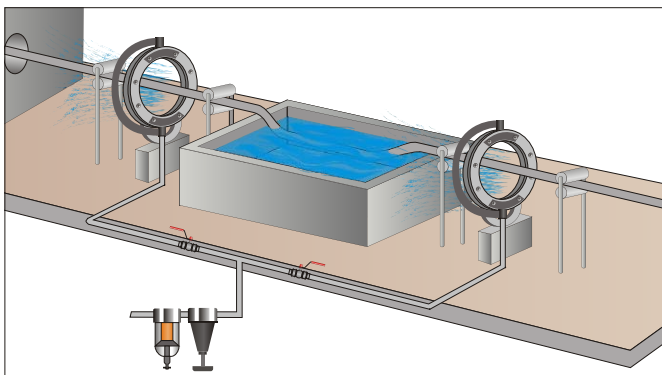
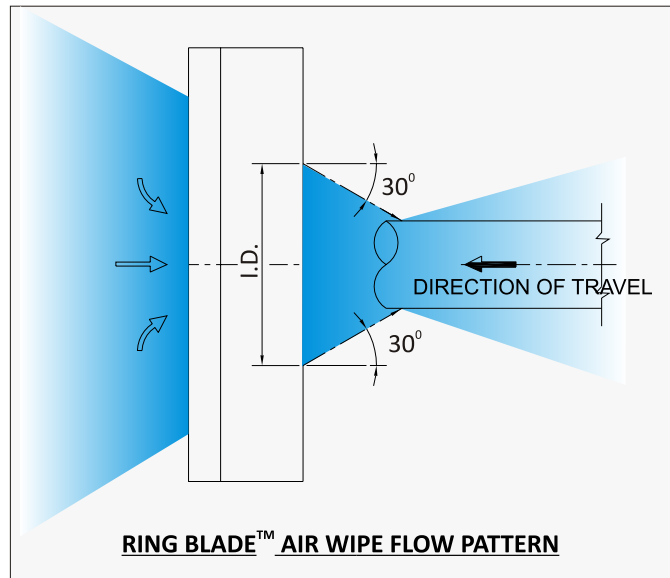
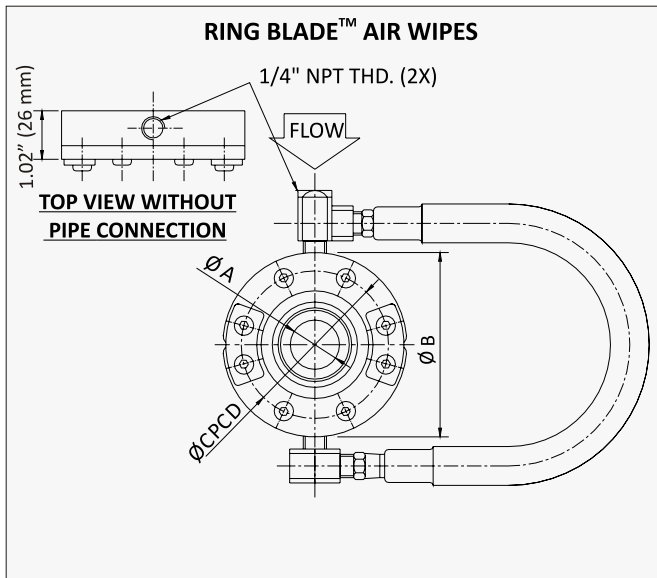
RING BLADE™ AIR WIPE SYSTEM - HOW IT WORKS:

Ring Blade™ Air Wipe - Compressed air enters at point (A) into an annular chamber and throttled through a small ring nozzle at high velocity. This air stream clings to the "coanda" profile directing the air stream down toward the surface which is angled to create a "cone" style directed force to best clean, wipe and dry a surface. The surrounding air is entrained at point (B) creating an amplified 360 degree conical airflow at point (C) to uniformly wipe the surface of the of the material running through the Ring Blade™. The wet or dirty material (D) direction of travel is against the flow.



Ring Blade™ Air Wipe is available in five standard sizes in anodized aluminum: 1" (25.4 mm), 2" (50.8 mm), 3" (76 mm), 4" (102 mm) and 6" (152 mm). ALL Ring Blade™ Air Wipe systems come complete with anodized aluminum body for long life, stainless steel shim as a standard, stainless steel screws - items competitors charge "extra" for! Two series are available - normal temperature models up to 150°F (66°C) which use a general purpose PVC coupling hose on all sizes, and the high temperature X-Stream™ models up to 400°F. (204°C) which use a stainless steel coupling hose on all sizes.

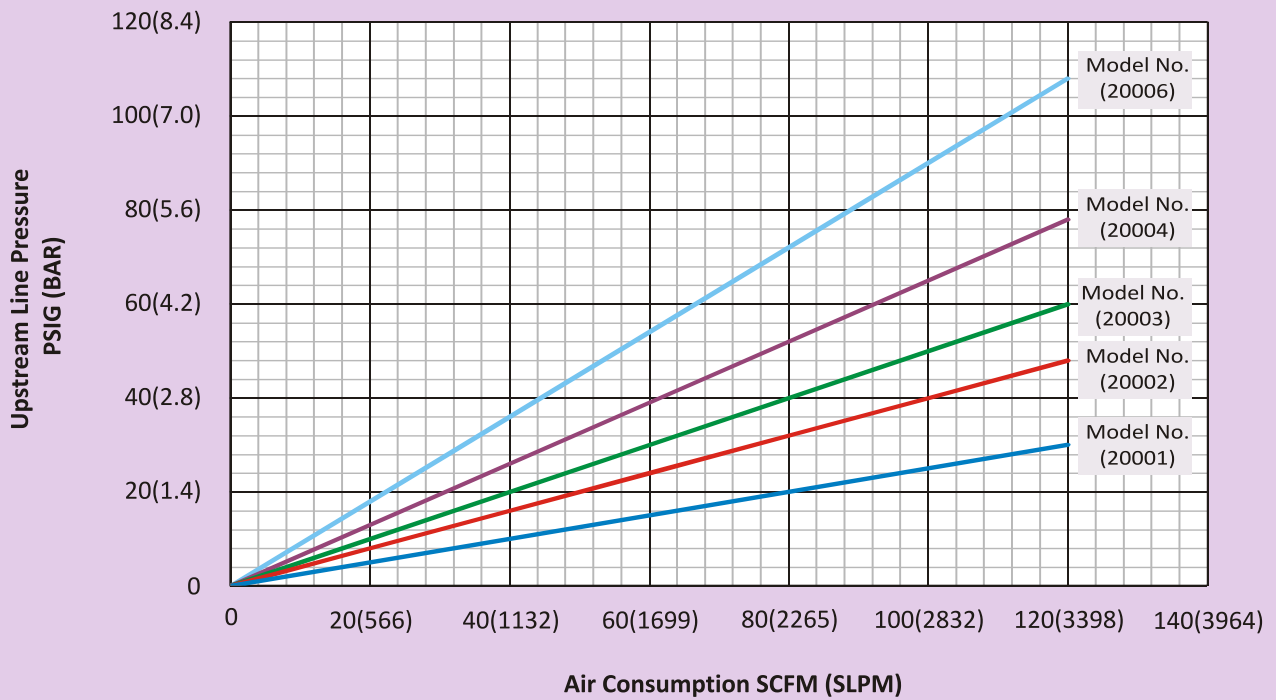
STANDARD APPLICATIONS	X-STREAM™ HIGH TEMP. APPLICATIONS	A Inches (mm)	B Inches (mm)	C Inches (mm)
20001	20001X	1.00" (25.4)	3.75" (95.3)	1.03" (26)
20002	20002X	2.00" (50.8)	4.75" (121)	4.00" (102.6)
20003	20003X	3.00" (76.2)	5.75" (146)	5.00" (127)
20004	20004X	4.00" (102.6)	6.75" (171)	6.00" (153)
20006	20006X	6.00" (153)	8.75" (222)	8.00" (203)



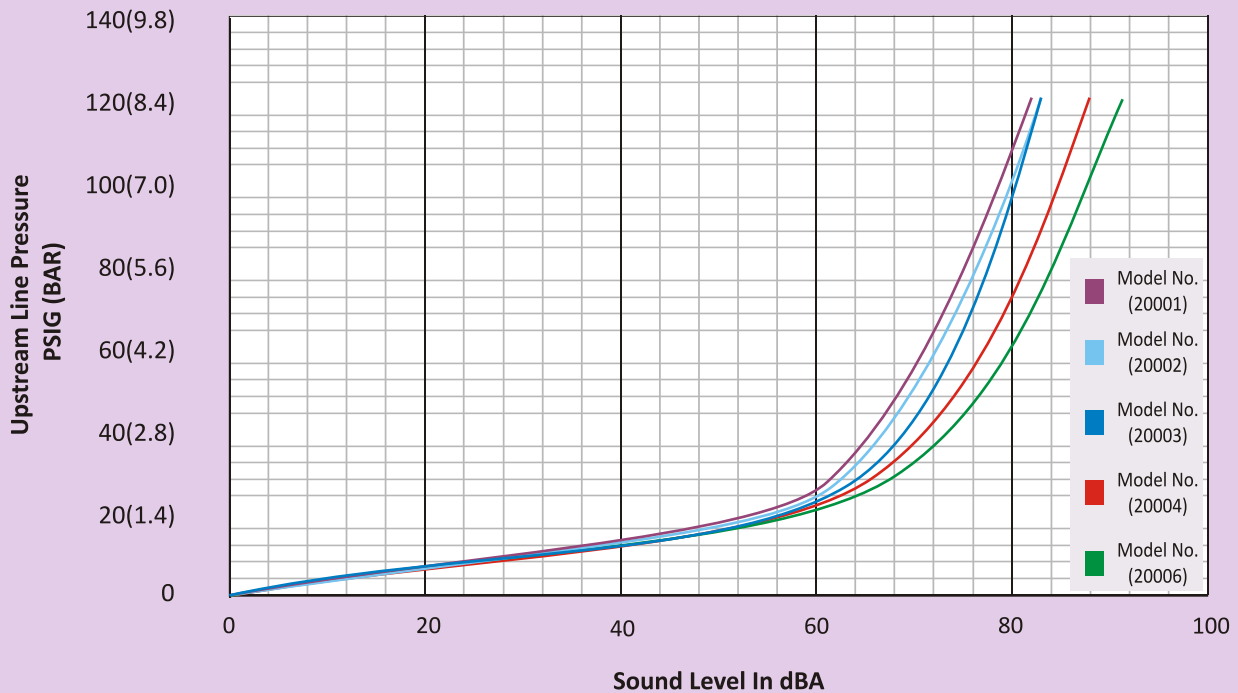
Two Model 20002 - 2" Ring Blade™ Air Wipe system are used to clean and dry extruded automotive trim. The design of the air wipe allows the blowoff force to get into the automotive trim gaps and effectively clean and dry the extruded part. If a bubble occurs in the trim, the Ring Blade™ air wipe can be opened up to pass the bubble without disrupting production.



Upstream Inlet Pressure vs. Air Consumption for Each Ring Blade™ With .002" Shim



Sound Level at 3 feet(0.91m) vs. Pressure for Each Air Blade™ With .002" Shim



RING BLADE™ AIR WIPE SYSTEM



ALUMINUM RING BLADE™ AIR WIPE SYSTEMS - UP TO 150°F (66°C)

PART NO.	DESCRIPTION
20001	1" Anodized Aluminum Ring Blade™ Air Wipe only
20002	2" Anodized Aluminum Ring Blade™ Air Wipe only
20003	3" Anodized Aluminum Ring Blade™ Air Wipe only
20004	4" Anodized Aluminum Ring Blade™ Air Wipe only
20006	6" Anodized Aluminum Ring Blade™ Air Wipe only
21001	1" Anodized Aluminum Ring Blade™ Air Wipe plus Filter with Auto Drain
21002	2" Anodized Aluminum Ring Blade™ Air Wipe plus Filter with Auto Drain
21003	3" Anodized Aluminum Ring Blade™ Air Wipe plus Filter with Auto Drain
21004	4" Anodized Aluminum Ring Blade™ Air Wipe plus Filter with Auto Drain
21006	6" Anodized Aluminum Ring Blade™ Air Wipe plus Filter with Auto Drain
22001	1" Anodized Aluminum Ring Blade™ Air Wipe plus Filter with Auto Drain & Regulator with Gauge
22002	2" Anodized Aluminum Ring Blade™ Air Wipe plus Filter with Auto Drain & Regulator with Gauge
22003	3" Anodized Aluminum Ring Blade™ Air Wipe plus Filter with Auto Drain & Regulator with Gauge
22004	4" Anodized Aluminum Ring Blade™ Air Wipe plus Filter with Auto Drain & Regulator with Gauge
22006	6" Anodized Aluminum Ring Blade™ Air Wipe plus Filter with Auto Drain & Regulator with Gauge

ALUMINUM RING BLADE™ AIR WIPE SYSTEMS - UP TO 400°F (204°C)

PART NO.	DESCRIPTION
20001X	1" High Temperature Anodized Aluminum Ring Blade™ Air Wipe only
20002X	2" High Temperature Anodized Aluminum Ring Blade™ Air Wipe only
20003X	3" High Temperature Anodized Aluminum Ring Blade™ Air Wipe only
20004X	4" High Temperature Anodized Aluminum Ring Blade™ Air Wipe only
20006X	6" High Temperature Anodized Aluminum Ring Blade™ Air Wipe only
21001X	1" High Temperature Anodized Aluminum Ring Blade™ Air Wipe plus Filter with Auto Drain
21002X	2" High Temperature Anodized Aluminum Ring Blade™ Air Wipe plus Filter with Auto Drain
21003X	3" High Temperature Anodized Aluminum Ring Blade™ Air Wipe plus Filter with Auto Drain
21004X	4" High Temperature Anodized Aluminum Ring Blade™ Air Wipe plus Filter with Auto Drain
21006X	6" High Temperature Anodized Aluminum Ring Blade™ Air Wipe plus Filter with Auto Drain
22001X	1" High Temperature Anodized Aluminum Ring Blade™ Air Wipe + Filter with Auto Drain & Reg. with Gauge
22002X	2" High Temperature Anodized Aluminum Ring Blade™ Air Wipe + Filter with Auto Drain & Reg. with Gauge
22003X	3" High Temperature Anodized Aluminum Ring Blade™ Air Wipe + Filter with Auto Drain & Reg. with Gauge
22004X	4" High Temperature Anodized Aluminum Ring Blade™ Air Wipe + Filter with Auto Drain & Reg. with Gauge
22006X	6" High Temperature Anodized Aluminum Ring Blade™ Air Wipe + Filter with Auto Drain & Reg. with Gauge

EXTRA STAINLESS STEEL SHIMS - .002" (.050 MM) FOR RING BLADE™ AIR WIPE SYSTEMS

PART NO.	DESCRIPTION
20101	1" Stainless Steel Shim - .002" (.050 mm) for 1" Ring Blade™ Air Wipe System
20102	2" Stainless Steel Shim - .002" (.050 mm) for 2" Ring Blade™ Air Wipe System
20103	3" Stainless Steel Shim - .002" (.050 mm) for 3" Ring Blade™ Air Wipe System
20104	4" Stainless Steel Shim - .002" (.050 mm) for 4" Ring Blade™ Air Wipe System
20106	6" Stainless Steel Shim - .002" (.050 mm) for 6" Ring Blade™ Air Wipe System

