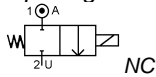


Media: air – water – gas – light oil - vacuum
 Pressure range: 0 to 30 Bar max
 Media temperature: 120°C max
 Ambient temperature: -10°C to +50°C max
 Media viscosity: 40 centistokes max
 Mounting: any position
 Weight (including coil) 280 g
 Opening / Closing time: 10-20 mSec Max



2/2 Stainless

1/8 – 1/4

NORMALLY CLOSED

2 WAY DIRECT ACTING

0 – 30 Bar

TYPE JA



PRESSURE

Ø Port BSPT	Ø Orifice (mm)	Flow Kv Ltr/Min	Min	Pressure Rating (Bar)				Seals	Max Media Temp °C	Part Number
				10 Watt Coil		18 Watt Coil				
				Max AC	Max DC	Max AC	Max DC			
1/8	1.6	1.6	0	20	15	30	20	NBR EPDM FKM	50 120 80	JA1BN + voltage + coil JA1BE + voltage + coil JA1BV + voltage + coil
	2.4	2	0	10	9	20	15	NBR EPDM FKM	50 120 80	JA1CN + voltage + coil JA1CE + voltage + coil JA1CV + voltage + coil
	3.2	2.8	0	7	6	15	10	NBR EPDM FKM	50 120 80	JA1DN + voltage + coil JA1DE + voltage + coil JA1DV + voltage + coil
	4	4	0	5	4	10	8	NBR EPDM FKM	50 120 80	JA1EN + voltage + coil JA1EE + voltage + coil JA1EV + voltage + coil
1/4	1.6	1.6	0	20	15	30	20	NBR EPDM FKM	50 120 80	JA2BN + voltage + coil JA2BE + voltage + coil JA2BV + voltage + coil
	2.4	2	0	10	9	20	15	NBR EPDM FKM	50 120 80	JA2CN + voltage + coil JA2CE + voltage + coil JA2CV + voltage + coil
	3.2	2.8	0	7	6	15	10	NBR EPDM FKM	50 120 80	JA2DN + voltage + coil JA2DE + voltage + coil JA2DV + voltage + coil
	4	4	0	5	4	10	8	NBR EPDM FKM	50 120 80	JA2EN + voltage + coil JA2EE + voltage + coil JA2EV + voltage + coil
	5	7.1	0	4	3	6	5	NBR EPDM FKM	50 120 80	JA2FN + voltage + coil JA2FE + voltage + coil JA2FV + voltage + coil

OPTIONS

IP65 Coil & Connector PG9 – DIN 43650 A
 NPT and BSPT Thread
 31400 High Power 14 – 20 Watt coil
 PTFE Seals

ELECTRICAL DATA

Voltage (-10% + 15%) Continuous duty 100%		Coil	Power Consumption		Insulation class	Enclosure	Electrical connections
			Inrush	Holding			
~ 24 - 48 - 110 - 230 - 415 (50 or 60 Hz)	= 12 - 24 - 48 (DC)	11630	26 VA	14 VA	F 155°C	IP 65 with connector	3 spades DIN 43650 DIN 40050 VDE 0110
~ 24 - 48 - 110 - 230 - 415 (50 or 60 Hz)			10 Watts				
= 12 - 24 - 48 - 80 - 190 (DC)	31400	48VA	26VA				
		14 – 20 Watts					

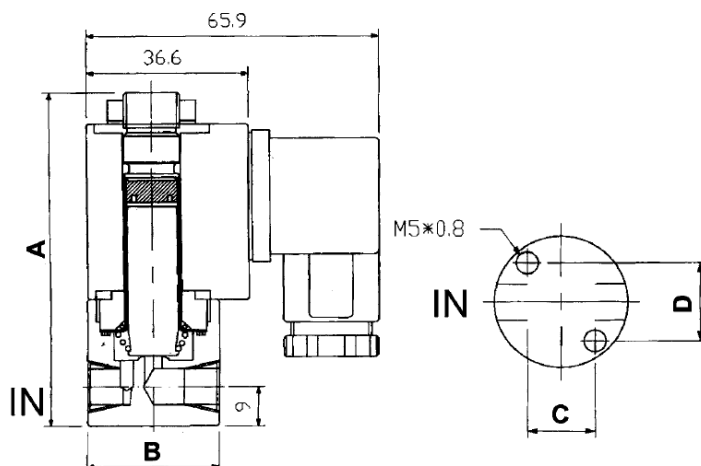
CONSTRUCTION

Body: AISI303 Stainless steel
 Tube and internal parts: AISI304 stainless steel, Head & plunger: AISI 430Fr Stainless steel
 Seals and gaskets: FKM (Optional EPDM & NBR), Moulded coil: Resin

REPAIR KIT

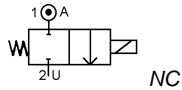
Coil	Coil size (11630 or 31400) + voltage
Armature + seal	SP + Valve Part Number -ARMATURE

OVERALL DIMENSIONS



Port	A	B	C	D
1/8	76	30	15.2	17.8
1/4	77	35	16	22

Media: air – water – gas – light oil - vacuum
 Pressure range: 0 to 15 bar max
 Media temperature: 120°C max
 Ambient temperature: -10°C to +50°C max
 Media viscosity: 50 centistokes max
 Mounting: any position
 Opening / Closing time: 20 mSec Max



2/2 Brass

1/8 – 1/2

NORMALLY CLOSED

2 WAY DIRECT ACTING

0 – 15 Bar

TYPE AD612



PRESSURE

Ø Port BSP	Ø Orifice (mm)	Coil	Flow	Pressure Rating (Bar) ΔP			Seals	Part Number	
			Kv Ltr/min	Min	Max AC	Max DC			
1/8	3.0	WPG1	4	0	10	7	NBR +80°C SILICONE +120°C EPDM +120°C FKM +120°C *PTFE +120°C *VST +120°C	AD6A + seal + voltage	
	4.0		5.5	0	7	5		AD6B + seal + voltage	
	5.0		7.2	0	5	3.5		AD6C + seal + voltage	
1/4	3.0		4	0	10	7		AD8A + seal + voltage	
	4.0		5.5	0	7	5		AD8B + seal + voltage	
	5.0		7.2	0	5	3.5		AD8C + seal + voltage	
3/8	4.0	WPG2	5.5	0	10	7		AD10A + seal + voltage	
	6.0		10.5	0	5	3.5		AD10B + seal + voltage	
	8.0		16.2	0	2	1.4		AD10C + seal + voltage	
	1/2	4.0	WPA3C	5.5	0	15		10	AD10A-C3 + seal + voltage
		6.0		10.5	0	7		5	AD10B-C3 + seal + voltage
		8.0		16.2	0	3		2	AD10C-C3 + seal + voltage
1/2	6.0	WPG2	10.5	0	5	3.5	AD12A + seal + voltage		
	8.0		16.2	0	2	1.4	AD12B + seal + voltage		
	1/2	WPA3C	6.0	0	7	5	AD12A-C3 + seal + voltage		
			8.0	0	3	2	AD12B-C3 + seal + voltage		

OPTIONS

IP66 (EN60529:1991+A1:2000) CSA + UL Approved Coil & IP65 LED Connector PG11 – DIN 43650 A
 ATEX 22003EX Coil: ATEX EExmII T II 2G & 2D IP65 T130°C (Pressure rating 70% of WPG2 DC rated coil)
 * PTFE, VST, CR, ECO, HNBR or Hypalon Seals
 Silver shading ring (ADxxS)
 Manual Over Ride
 NPT Thread
 Other custom made options available upon request

ELECTRICAL DATA

Voltage (-10% + 15%) Continuous duty 100%		Coil	Power Consumption		Insulation class	Enclosure	Electrical connections
			Inrush	Holding			
~ 24 - 110 - 230 (50 or 60 Hz)	= 12 - 24 (DC)	WPG1	11.2VA	8.2VA	H 180°C	IP 65 with connector	3 spades DIN 43650A DIN 40050 VDE 0110
			12 Watts				
~ 24 - 110 - 230 (50 or 60 Hz)	= 12 - 24 (DC)	WPG2	18.7VA	15.3VA			
			18 Watts				
~ 24 - 110 - 230 (50 or 60 Hz)	= 12 - 24 (DC)	WPA3C	88VA	57VA	N 200°C	IP 54	30cm flying lead wire
			33.6 Watts				

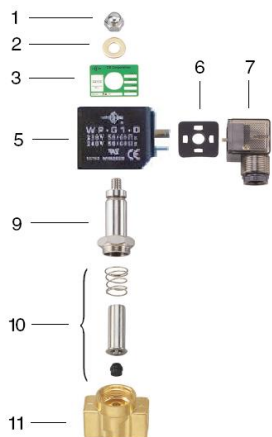
CONSTRUCTION

Body: Brass
 Tube and Spring: 304 Stainless/ Brass Armature: 430F Stainless Other internal parts: Stainless
 Shading ring: copper (optional Silver)
 Seals and gaskets: FKM (Optional EPDM, NBR, SILICONE, PTFE, VST, CR, ECO, HNBR and Hypalon)
 Moulded coil: Resin

REPAIR KIT

Coil	Coil size (WPG1 or WPG2 or WPA3C) + voltage
Armature + Seal	SP210 + Valve Part Number

OVERALL DIMENSIONS



Item	Part No	Description
1	SP201-*	Nut
2	SP202-*	Washer
3	SP203-*	Nameplate
5	WPG*	Coil
6	SP206-*	Gasket
7	SP207-*	Connector
9	SP209-*	Core Tube
10	SP210-*	Armature Assembly
17	SP211-*	Valve Body

* = Valve Part Number

Model	A	B	C	F*	G	H	Kg
AD6	41	19	85	63	15	10.5	0.47
AD8	41	19	89	63	15	10.5	0.47
AD10	50	25	90	65	15	11.7	0.73
AD12	55	27	91	65	17	13	0.78

