



THE  
SPRAY NOZZLE  
PEOPLE

# ORBITOR COMPACT

Rotary Jet



## TANK WASH

### DESIGN FEATURES

- ✓ Entirely fluid driven - no external power source is required
- ✓ Self lubricating
- ✓ Easy to maintain. Can be stripped and reassembled in 15 minutes.
- ✓ ATEX certified zones 0 and T6
- ✓ Self cleaning and hygienic design suitable for food and pharmaceutical applications

### SPRAY CHARACTERISTICS

- ✓ Flow rates: 45 - 198 l/min
- ✓ Working Pressure: 3 - 12 bar
- ✓ Jet length: Up to 8.6 metres
- ✓ Wash pattern: 360°
- ✓ Cycle times: 9.5-20 minutes
- ✓ Materials:
  - Housing: 316L
  - Nozzle Head: 316L
  - Gears: PEEK + 316 SS
  - Bushings: Carbon Filled PTFE
- ✓ Weight: 2.5Kg



The Orbitor Compact is typically used in food processing, beverage, pharmaceutical and chemical tank cleaning applications. It is geared to rotate fairly slowly to deliver the optimum jet dwell time on the tank wall for maximum cleaning power.

Despite its incredible cleaning power, the compact design means it can easily fit into a 100mm opening and, with the arms vertically aligned, will squeeze through an 8.5mm opening.

The Compact is one of the few tank cleaners that is ATEX certified for use in all zones and temperatures.

CALL NOW : +44 (0) 1273 400092

[www.spray-nozzle.co.uk](http://www.spray-nozzle.co.uk)

The Go-to People for spray nozzle solutions

## How it works

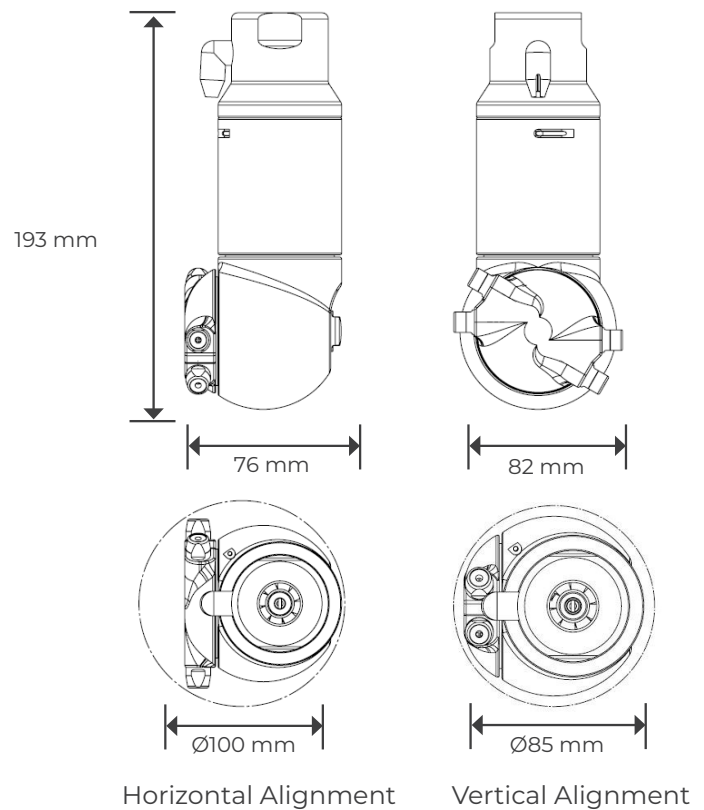
The Orbitor Compact is a fluid driven rotary jet cleaner. The cleaning fluid is pumped through the Orbitor and this first passes through a turbine which causes the nozzle arms to spin. The fluid then passes through the nozzles forming a powerful cleaning jet. As the arms rotate the main body also rotates in a set pattern. This is geared so that over a specific period of time (the clean cycle) the cleaning jets are brought to bear on each part of the tank ensuring a thorough, methodical clean.

For each configuration of Orbitor there will a maximum jet length for any given fluid pressure. The max jet length is the overall reach of the resulting spray. The effective cleaning jet length is smaller than this and represents the distance from the machine where a reasonable cleaning action will be achieved. Clearly a more robust clean will be given the further within the effective jet length the target sits.

## Made in the UK



The Orbitor is manufactured in the UK exclusively for The Spray Nozzle People by Dasic Marine.



## Orbitor Compact

Flow rates, Jet Lengths and Cycle Times

Standard Materials: Housing: 316L, Nozzle Head: 316L, Gears: PEEK + 316 SS, Bushings: Carbon Filled PTFE

### Model Type

Bar	4x3mm			4x4mm			4x5mm			4x6mm		
	Flow rate l/min	Jet Length (m)	Cycle Time (min)	Flow rate l/min	Jet Length (m)	Cycle Time (min)	Flow rate l/min	Jet Length (m)	Cycle Time (min)	Flow rate l/min	Jet Length (m)	Cycle Time (min)
3	48.3	3.7	20.0	61.7	4.3	26.0	90.0	4.9	17.0	115.0	5.4	22.0
4	53.3	4.5	17.0	71.7	5.1	22.0	101.7	5.7	14.0	126.7	6.2	19.0
5	57.5	5.1	14.5	80.0	5.8	19.0	110.0	6.4	12.0	138.3	6.9	16.5
6	64.2	5.6	13.0	90.0	6.4	16.0	120.0	7.0	11.0	151.7	7.4	14.5
7	70.0	6.1	12.0	98.3	6.8	14.0	128.3	7.4	10.5	163.3	7.9	13.0
8	76.7	6.4	10.8	106.7	7.2	12.5	138.3	7.8	10.0	175.0	8.2	12.0
9	83.3	6.7	10.0	113.3	7.5	11.5	146.7	8.0	9.5	186.7	8.5	11.0
10	90.0	6.9	9.5	120.0	7.6	11.0	155.0	8.1	9.5	198.3	8.6	10.0