



THE  
**SPRAY NOZZLE**  
PEOPLE

# Uni-Couplers

## CAM-OPERATED PIPE COUPLERS

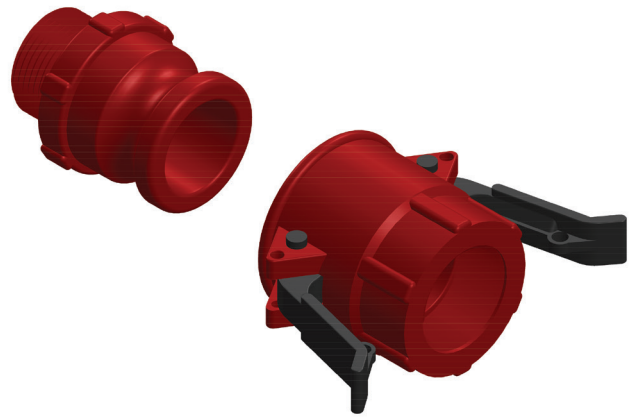
## COUPLERS

### DESIGN FEATURES

- ✓ Cam-Operated couplers.
- ✓ Available for pipe sizes from 1" nominal bore to 4" nominal bore
- ✓ Camlock hose barb or end plug adaptors also available.
- ✓ Available in Ny-Glass, Poly-Glass or PVDF

### BENEFITS

- ✓ Allows for easy attaching and detaching of pipe work and risers
- ✓ Chemically inert materials suitable for harsh caustics
- ✓ Colour coded for easy identification



The quick change coupler system from Unispray is a handy system that allows plastic pipework to be attached and detached easily. The coupler part will be threaded permanently to the pipe, the threads will not normally ever be undone, but the cam-lock coupler is easily attached and detached. This saves time, money, and effort when maintaining pipework systems.

**CALL NOW : +44 (0) 1273 400092**

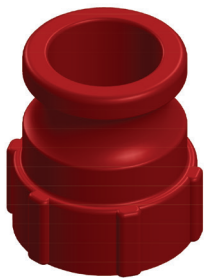
[www.spray-nozzle.co.uk](http://www.spray-nozzle.co.uk)

## Available Sizes

All Quik-Disconnect plastic components are colour-coded for convenient identification, and are available to fit the following pipe sizes:

(mm)	Thread Type	Poly-Glass	Ny-Glass	PVDF
25 mm	BSPT	Black	Yellow	White
32 mm	BSPT	Red	Yellow	White
40 mm	BSPT	Purple	Yellow	White
50 mm	BSPT	Black	Yellow	White
75 mm	BSPT	Black	Yellow	White
100 mm	BSPT	Black	Yellow	White

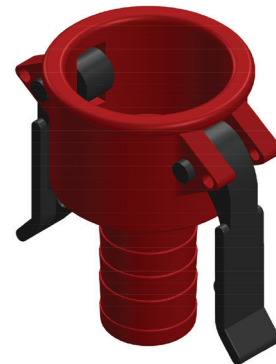
## Quik-Disconnect couplings and adaptors



**PART A**  
ADAPTER x FT



**PART B**  
COUPLER x MT



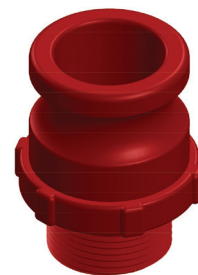
**PART C**  
COUPLER x HOSE BARB



**PART D**  
COUPLER x FT



**PART E**  
ADAPTER x HOSE BARB



**PART F**  
ADAPTER x MT

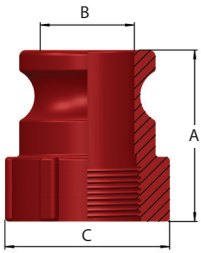


**PART DP**  
PLUG



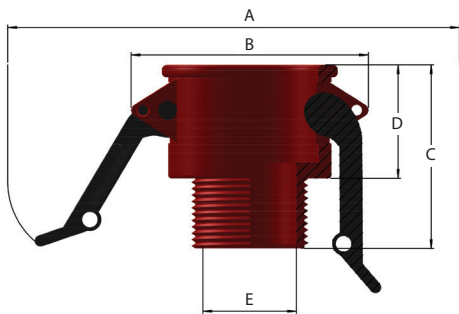
**PART DC**  
CAP

## Quik-Disconnect Dimensions



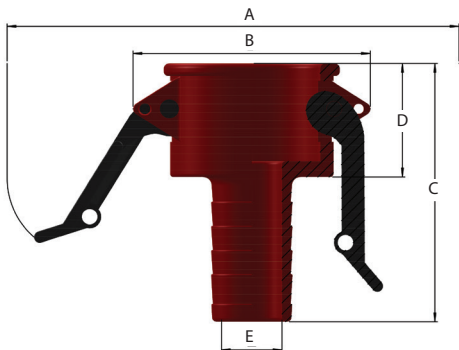
### PART A: ADAPTER x FT (mm)

SIZE CODE	100	125	150	200	300	400
Size of Thread	1"	1 1/4"	1 1/2"	2"	3"	4"
A Overall Length	47.6	69.9	69.9	74.6	74.6	95.3
B Minimum I.D.	20.6	36.5	36.5	42.9	71.4	95.3
C Maximum O.D.	44.5	63.5	63.5	77.8	122.2	133.4



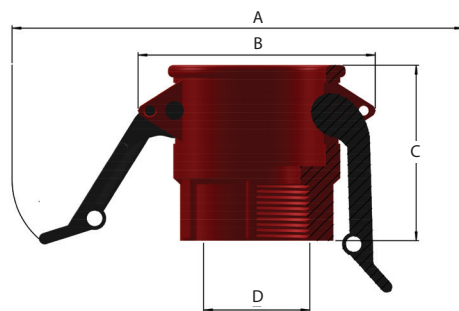
### PART B: COUPLER x MT (mm)

SIZE CODE	100	125	150	200	300	400
Size of Thread	1"	1 1/4"	1 1/2"	2"	3"	4"
A O.D with Arms Out	120.7	208.0	208.0	220.7	252.4	281.0
B Maximum O.D.	63.5	95.3	95.3	103.2	127.0	166.7
C Overall Length	63.5	69.9	69.9	82.6	84.1	100.0
D Exposed Length	39.7	47.6	47.6	54.0	66.7	65.1
E Minimum I.D.	22.2	49.2	38.1	47.6	73.0	98.4



### PART C: COUPLER x HOSE BARB (mm)

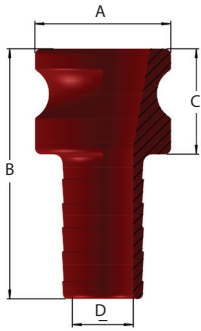
SIZE CODE	100	125	150	200	300	400
Size of Hose Barb	25	32	40	50	75	100
A O.D with Arms Out	120.7	208.0	208.0	220.7	252.4	281.0
B Maximum O.D.	63.5	95.3	95.3	103.2	127.0	166.7
C Overall Length	96.8	108.0	108.0	125.4	160.3	158.8
D Exposed Length	39.7	47.6	47.6	54.0	60.3	65.1
E Minimum I.D.	20.6	23.8	30.2	41.3	65.1	88.9



### PART D: COUPLER x FT (mm)

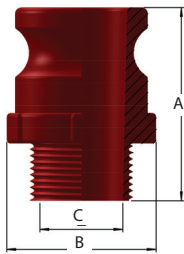
SIZE CODE	100	125	150	200	300	400
Size of Thread	1"	1 1/4"	1 1/2"	2"	3"	4"
A O.D with Arms Out	120.7	208.0	208.0	220.7	252.4	281.0
B Maximum O.D.	63.5	95.3	95.3	103.2	127.0	166.7
C Overall Length	61.9	69.9	69.9	82.6	82.6	101.6
D Minimum I.D.	25.4	38.1	41.3	42.9	73.0	98.4

## Quik-Disconnect Dimensions



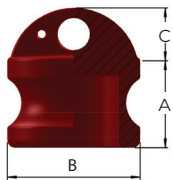
### PART E: ADAPTER x HOSE BARB (mm)

SIZE CODE	100	125	150	200	300	400
Size of Hose Barb	25	32	40	50	75	100
A Maximum O.D.	36.5	53	53	63	91	120
B Overall Length	90.5	123	123	130	174	185
C Exposed Length	33.3	53	53	48	53	76
D Minimum I.D.	20.6	30	30	41	61	130



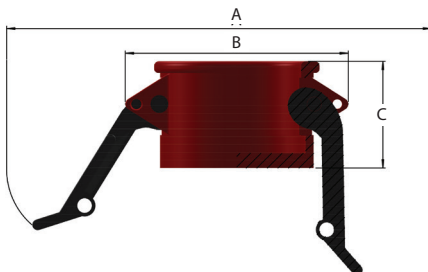
### PART F: ADAPTER x MT (mm)

SIZE CODE	100	125	150	200	300	400
Size of Thread	1"	1 1/4"	1 1/2"	2"	3"	4"
A Overall Length	68.3	79.4	79.4	89.0	100.0	115.9
B Maximum O.D.	44.5	63.5	63.5	77.8	122.2	133.4
C Minimum I.D.	22.2	33.3	36.5	47.6	69.9	98.4



### PART DP: PLUG (mm)

SIZE CODE	100	125	150	200	300	400
Nominal Pipe Size	1"	1 1/4"	1 1/2"	2"	3"	4"
A Overall Length	34.9	36.5	36.5	49.2	52.4	55.6
B Maximum O.D.	36.5	54.0	54.0	63.5	92.1	119.1
C Lug Extension	9.5	11.1	11.1	9.5	12.7	12.7

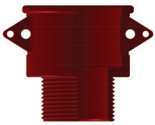










### PART DC: CAP (mm)

SIZE CODE	100	125	150	200	300	400
Nominal Pipe Size	1"	1 1/4"	1 1/2"	2"	3"	4"
A O.D. with Arms Out	120.7	208.0	208.0	220.7	252.4	281.0
B Maximum O.D.	63.5	95.3	95.3	103.2	127.0	166.7
C Overall Length	41.3	49.2	49.2	55.6	60.3	63.5

## Quik-Disconnect Replacement Parts

TO ORDER SPARE PARTS FOR YOUR ASSEMBLIES, USE THE PARTS GUIDE BELOW

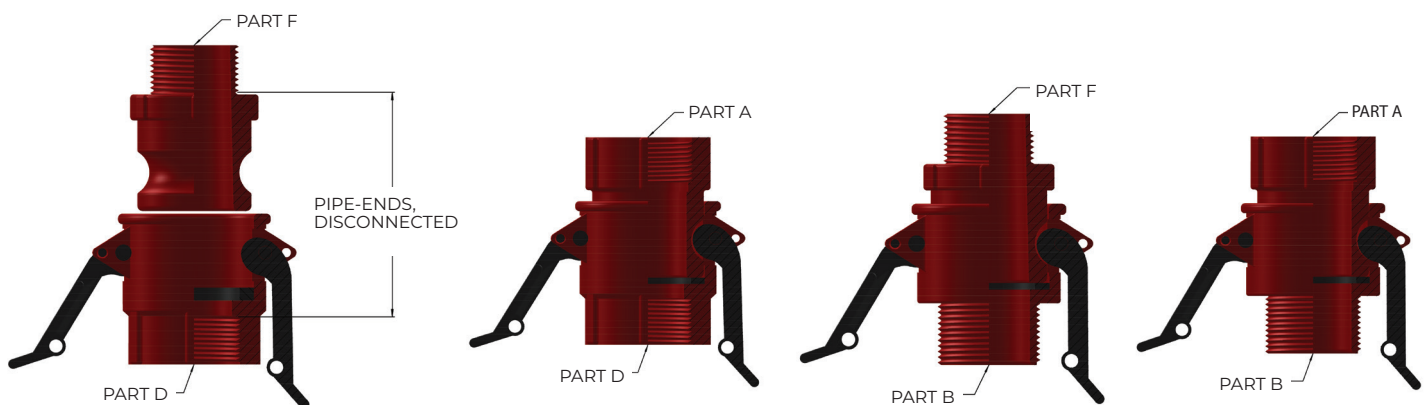
COMPONENT	25 mm	32 mm	40 mm	50 mm	75 mm	100 mm
<b>PART B BODY: NY-GLASS OR PLOY-GLASS</b>						
	UNI 100 DNG-B	UNI 125 DNG-B	UNI 150 DNG-B	UNI 200 DNG-B	UNI 300 DNG-B	UNI 400 DNG-B
	UNI 100 DPG-B	UNI 125 DPG-B	UNI 150 DPG-B	UNI 200 DPG-B	UNI 300 DPG-B	UNI 400 DPG-B
	UNI 100 DK-B	UNI 125 DK-B	UNI 150 DK-B	UNI 200 DK-B	(N/A)	(N/A)
<b>PART C BODY: NY-GLASS OR POLY-GLASS</b>						
	UNI 100 CNG-B	UNI 125 CNG-B	UNI 150 CNG-B	UNI 200 CNG-B	UNI 300 CNG-B	UNI 400 CNG-B
	UNI 100 CPG-B	UNI 125 CPG-B	UNI 150 CPG-B	UNI 200 CPG-B	UNI 300 CPG-B	UNI 400 CPG-B
	UNI 100 CK-B	UNI 125 CK-B	UNI 150 CK-B	UNI 200 CK-B	(N/A)	(N/A)
<b>PART D BODY: NY-GLASS OR POLY-GLASS</b>						
	UNI 100 BNG-B	UNI 125 BNG-B	UNI 150 BNG-B	UNI 200 BNG-B	UNI 300 BNG-B	UNI 400 BNG-B
	UNI 100 BPG-B	UNI 125 BPG-B	UNI 150 BPG-B	UNI 200 BPG-B	UNI 300 BPG-B	UNI 400 BPG-B
	UNI 100 BK-B	UNI 125 BK-B	UNI 150 BK-B	UNI 200 BK-B	(N/A)	(N/A)
<b>PART DC BODY: NY-GLASS OR POLY-GLASS</b>						
	UNI 100 DCNG-B	UNI 125 DCNG-B	UNI 150 DCNG-B	UNI 200 DCNG-B	UNI 300 DCNG-B	UNI 400 DCNG-B
	UNI 100 DCPG-B	UNI 125 DCPG-B	UNI 150 DCPG-B	UNI 200 DCPG-B	UNI 300 DCPG-B	UNI 400 DCPG-B
	UNI 100 DCK-B	UNI 125 DCK-B	UNI 150 DCK-B	UNI 200 DCK-B	(N/A)	(N/A)
<b>GASKET, EPDM</b>						
	UNI G 1	UNI G 2	UNI G 3	UNI G 4	UNI G 5	
<b>CAM-LOCK ARM, NY-GLASS</b>						
	(N/A)	UNI AP 1	UNI AP 2	(N/A)		
<b>CAM-LOCK ARM 302 SS</b>						
	UNI AS 1	UNI AS 2	UNI AS 3	UNI AS 4		
<b>SPRING CLIP, 302 SS</b>						
	UNI C 1	UNI C 2	UNI C 3	UNI R 1 (RING, 302 SS)		
<b>PIN, 302 SS</b>						
	UNI P 1	UNI P 2	UNI P 3	UNI P 4		

TO ORDER COMPLETE ASSEMBLIES, USE THE ORDERING INSTRUCTIONS ON PAGE 21

## Quik-Disconnect Pipe-End Separation Distances

Pipe-End Separation is the distance between the pipe ends being connected by means of the QUIK-DISCONNECT couplings.

The separation distance is given both as the distance when the couplers are engaged, and as the minimum distance required for disconnecting, assuming complete pipe thread engagement.



PIPE SIZE (mm)		D to F	D to A	B to F	B to A
25 mm (1")	CONNECTED	58.93	37.08	127.00	107.95
	DISCONNECTED	88.90	67.06	158.75	139.70
32 mm (1 1/4")	CONNECTED	68.07	56.90	117.48	107.95
	DISCONNECTED	103.12	92.96	149.23	142.88
40 mm (1 1/2")	CONNECTED	61.98	50.04	117.48	107.95
	DISCONNECTED	98.04	86.11	149.23	142.88
50 mm (2")	CONNECTED	69.09	57.91	142.88	127.00
	DISCONNECTED	113.03	102.11	184.15	171.45
75 mm (3")	CONNECTED	136.53	149.23	127.00	146.05
	DISCONNECTED	177.80	184.15	165.10	184.15
100 mm (4")	CONNECTED	180.98	180.98	180.98	190.50
	DISCONNECTED	225.43	225.43	225.43	234.95