

Quik-Release Riser Support ORDERING INSTRUCTIONS

Quik-Release Riser Support dimensions are shown for 25 mm (1"), 32 mm (1 1/4"), 40 mm (1 1/2") and 50 mm (2") pipe risers.

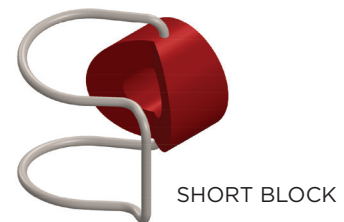
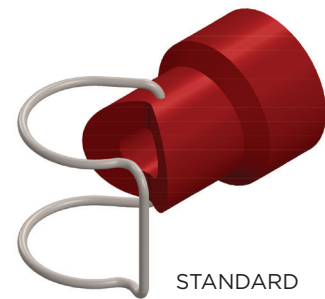
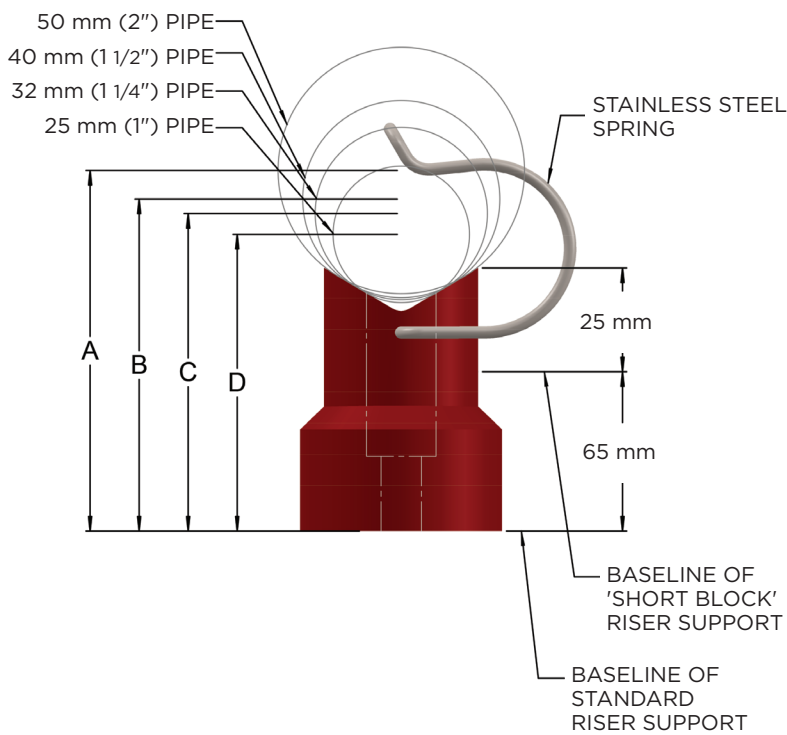
Note: For these sizes, the Riser Support Bodies are identical in size, but the Spring sizes vary. The Body colour denotes the Spring size.

25 mm (1") = BLUE

32 mm (1 1/4") = RED

40 mm (1 1/2") = PURPLE

50 mm (2") = GREEN



PIPE C/L TO WALL	A (50 mm Pipe)	B (40 mm Pipe)	C (32 mm Pipe)	D (25 mm Pipe)
RISER SUPPORT: STANDARD	88.9	82.6	79.4	74.9
PART NUMBER	QR200	QR150	QR125	QR100
RISER SUPPORT: SHORT BLOCK	50.8	44.5	41.3	36.8
PART NUMBER	QR200MINI	QR150MINI	QR125MINI	QR100MINI